



**THIS MONTH'S MEETING NOV 28 AT THE TABLE TENNIS CLUB
 1407 E HARRY**

	IN THIS ISSUE
1	NEXT MEETING
1	PRESIDENT'S CORNER
2	ELECTION OF OFFICERS
2	OCTOBER MEETING MINUTES
4	UPCOMING PROGRAMS
5	PLANS FOR SIDE BOARD
7	CLASSIFIEDS

This Month's Meeting - Galen Cassidy
November's Program:

**Back to Basics, the Essentials of
 Furniture Making
 Part 4: Legs and Stretchers, with
 Bernley Asel**

This month Bernley Asel will be making the legs and stretchers for the Guild's walnut sideboard. At this meeting Bernley will discuss his methods for designing, drawing, laying out, band sawing, and shaping legs. He will also be discussing his methods for cutting mortise and tenon joints using the drill press. During the program there will be opportunities for hands-on shaping of similar legs and hands-on use of a drill press for mortising. The TOOL THEME FOR THIS PROGRAM IS: SHAPING TOOLS LIKE THE SPOKESHAVE, so

if you own a spokeshave or other shaping tool please bring it for hands-on work or for show and tell.

President's Corner – David Fowler
 Guild Members,

I trust that everyone had a chance to thank Les for the program on carcass construction. Thanks Les, you have gotten us off to a great start with the Guild's walnut sideboard.

As the leaves begin to change their colors and the wind blows cooler we should be thinking about the coming year and our Guild's new officers. This month (November) we will be holding our annual elections. As a Guild member, it is important for all of us to realize the importance of these elections and, to be part of them. I am encouraging all members to attend the November meeting and to listen, consider, ask questions, and vote or, better yet, volunteer.

Also, as this year winds down your shops should be gearing up for all those winter projects. Winter is the perfect time to spend time in the shop making sawdust, working with friends, and sharing your thoughts and knowledge.

David F.

Election of Officers

Guild Officers for 2006 will be elected at this meeting. The following people are recommended by the Board of Directors for the upcoming vacancies: Galen Cassidy for President, Les Hastings for Vice president, Mike Hutton for Secretary, Wendell Parks for treasurer, and Ray Smith for newsletter editor. Additional nominations for the offices will be taken at the meeting.

Toy Program Dinner

The Guild will be having its annual Toy Program Dinner on the **2nd of December** (Friday). Truffles Catering will be catering this event. Social hours are between 5:30 & 6:30 and the dinner will be served at 6:30. The cost of the dinner is **\$9.00 per person**.

If you are planning on attending this event

PLEASE

purchase tickets at the November Guild meeting otherwise tickets will be available the night of the event.

Last Month's Meeting – Mike Hutton

Business – Remember, officer elections will be this November with the new officers taking over in January, so if you would like to contribute your time to the guild, let John Belt or Royce Wallace (nominating committee) know ASAP.

Toy Program –Gary Vreeland will need members to help out setting up the 3rd annual toy show down at City Arts on December 1st. Please contact him (265-7552) to let him know if you can help setup or tear down and transport toys. The toy celebration dinner night has moved, it will be the evening of December 2nd, not as previously noted on the 1st.

Other interesting Stuff- The guys down at Blake-Clotia' were chosen by Extreme Home Makeovers to help build Ty Pennington's secret room for the family home in Rosehill. The room is the garage, but don't tell anybody (its our secret). Randy Croley spent a lot of his personal time at the build site. Watch for the upcoming show sometime in December.

Show and Tell-

Rocky Ruse explained how he has discovered that pneumatic nail gun piston slides make excellent chisels.



He said that the steel in the slide is hardened so that it takes and holds the best edge of any chisel that he has used. He gets them for free since they aren't any good anymore for the guns. He puts on a Delrin handle on the end to aid his grip.

Bernley Asel showed a ¼ scale model of a walnut table that he said the wife nixed the idea of the design, so he asked for input from the guild. Many design ideas were passed around. He also brought in a walnut and birds eye maple end table.



This was his first time using a home made paste filler, from pumice that he thought worked better

than purchased fillers. He sands everything to 400 grit before finishing.

Gary Vreeland showed off his brand new built hard maple shop bench.



He budgeted \$500 for the project; he said that he went well beyond his budget when it was all over! He used a Veritas vice and ball bearing slides for the drawers. He'll cringe the first time he goofs up the top, but it is a workbench.

Program-

As part II of the Back-to-Basics series, Les Hastings took on the carcass construction program. Les is an experienced professional woodworker that has been building furniture since he was 12 years old. The lumber was hand picked for color and grain with the top panel requiring selection of 8/4 lumber to get the length required. Les explained how he works with solid lumber construction different than using plywood construction. The biggest difference is that the solid lumber will move with seasonal humidity changes, plywood won't. Knowing that the entire project will be solid lumber made him think about the joinery of the various parts and the assembly process.

The first step to building the piece is to mill and glue panels as raw stock. Les doesn't use lumber that he gets off of the truck right away. He lets the stock acclimate to the shop for a couple of days before he starts the processing. This lets the wood grow or shrink and stabilize. He then mills the stock to oversize in all directions and stickers and stacks to let any internal stresses equalize overnight. He then comes back and final mills to his thickness required. He uses biscuits to help align the panels

for glue-up but only applies glue to one side of the biscuit slot since they are mostly used for alignment and not strength in this application. He keeps all of his drops (cutoffs) to use in setting up the various cuts used in the process.

Les chose to use a sliding dovetail for the vertical members of carcass. He would normally let those dovetails show since he went to the effort to put them in, but this isn't his design, so they are stopped. The sliding dovetail is an excellent joint since all the wood is the same species and will move at the same rate, thereby maintaining the joint integrity.

He uses wide plywood for all of his template jigs since they are stiffer and won't flex. The slot template is made the same width of the finished stock panel so that the template can be aligned with the marks indicating both sides of the panel for ease of layout.



The female slot is first cut with two router passes using a template guide collar, the first hogs out most of the material, the second cleans up the cut. Les uses a parallel slot without tapers, he only glues the end of the slot away from where he starts the panel slide in i.e. the rest of the panel is held in place with the dovetail and floats.

This is where the drops come in to play – he uses those to “sneak up” on the router table setup for a perfect fit to the joint. The panel is run vertically against a router table fence with two passes to make the “pin”. He took about 45 minutes to get the joint to fit just right.



The perimeter of the carcass used miter joints to hide the end-grain and to present a more tailored look to the piece. Again, he uses biscuits but only glues one half of the biscuit as the excess will squeeze over into the over side and swell the biscuit anyway.

Les shared more of his expertise in woodworking. He typically will join 4/4 stock 6-inch wide white oak, but only 4-inch in red oak for wide panels. Thicker stock can be even wider without worry. He doesn't believe in the myth that panels need to have the growth rings laid up one up, the next down to reduce cupping, that is why he mills stock and lets it stabilize first. He uses Tightbond II glue for all general woodworking projects and uses Tightbond Extended for complicated glueups.

Les really knows his stuff when it comes to woodworking and we are lucky to have him as a guild member!

UPCOMING MEETINGS

November, Legs and Stretchers with Bernley Asel

Bernley will be continuing the construction phase of the series with the making of the legs and stretchers. He will be using the bandsaw in the making of the legs and the drill press for making mortise and tenon joints.

Note: This meeting will also include the elections for next year's officers

December,

December 2 will be the Guild's social meeting.

January, Drawer construction with David Fowler and Randy Croley

This program will cover both hand-cut dovetails and machine cut dovetails for the drawers. David will be demonstrating cutting dovetails using a handsaw and a chisel while Randy will be using the Porter Cable Omni jig for the machine-cut dovetails.

February, Frame and Panel Construction with Dan Carlyle

Dan will be completing the construction phase of the series with the building of the doors. The doors are traditional frame and panel doors with a veneered panel.

March, Oil and lacquer finish

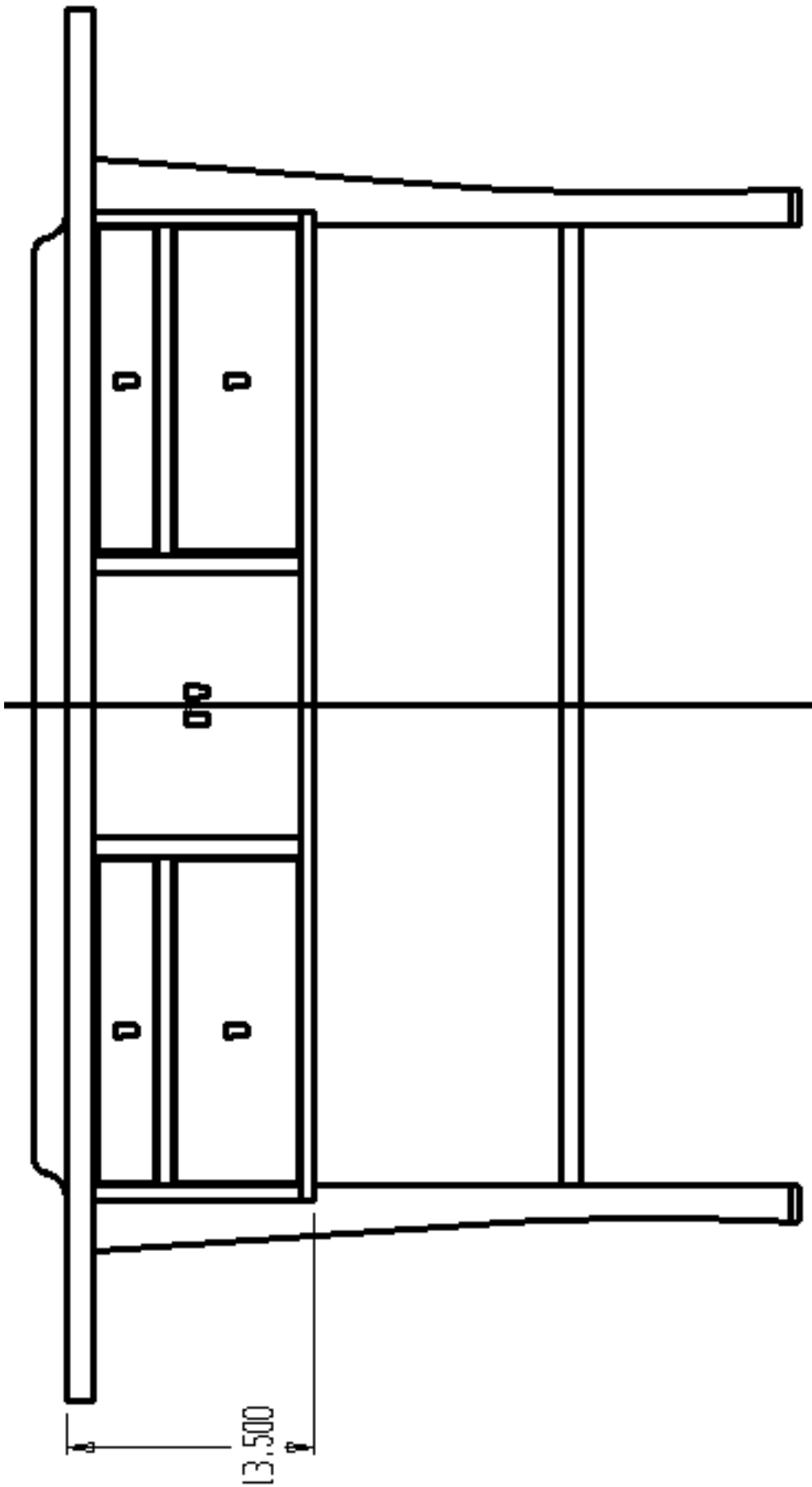
This program is when the sideboard will come alive with the application of an oil and lacquer finish. The oil will give the walnut its exquisite color and the lacquer will give the piece protection against the elements.

Saturday follow-ups:

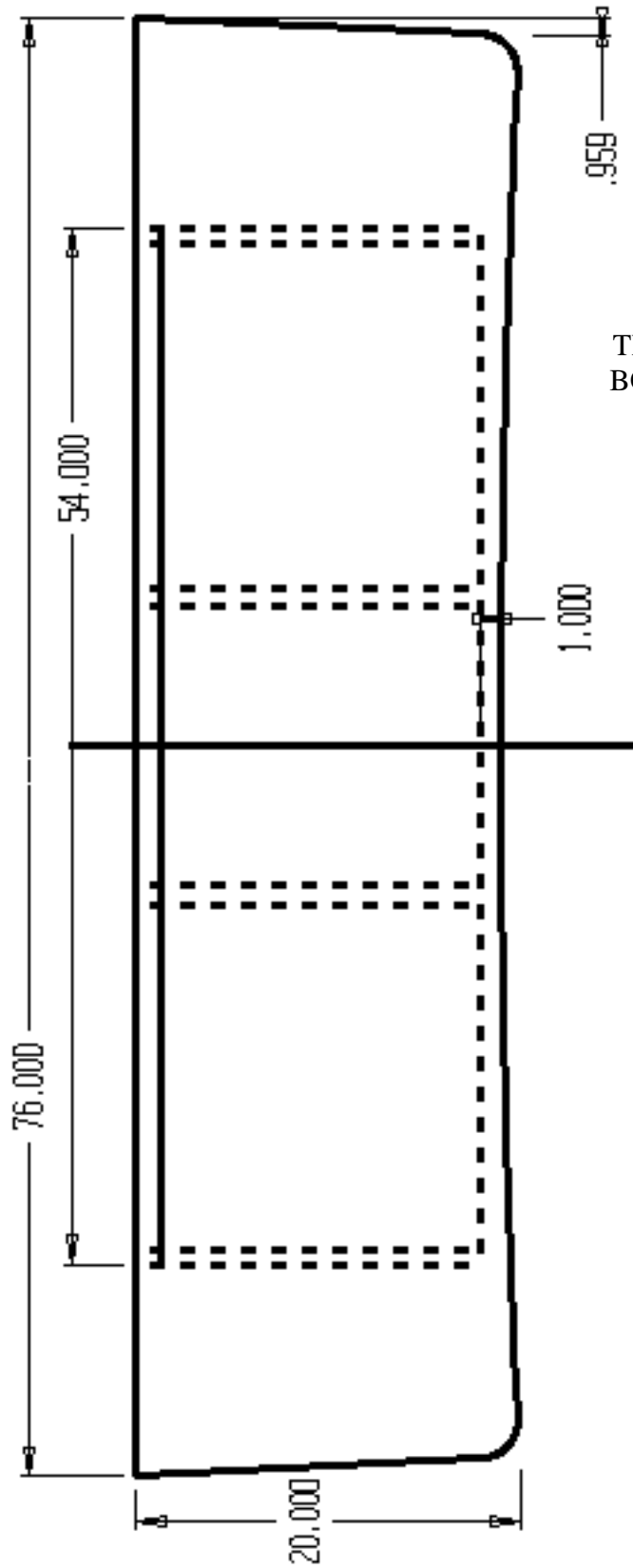
Most of the programs will include a Saturday follow program at one of the member's shop. These programs will be announced at the meetings and on the web site.

FROM THE EDITOR

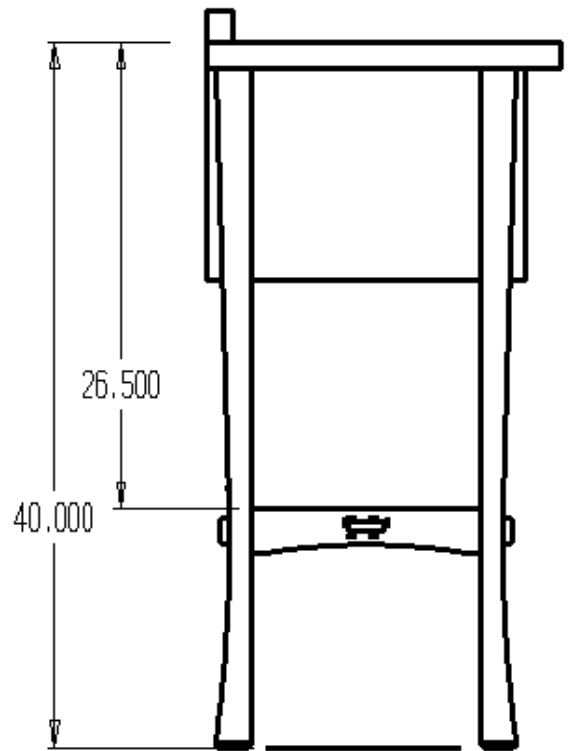
I have been printing a few color copies for guests and members that might not have received a newsletter. Some of the persons on the postal service mailing lists prefer them to the black and white copies they receive through the mail. I called Frank at JET printing to see if we could change to color printing for a small difference. I found out a few things: 1) JET is giving a LARGE discount on the printing of our newsletter compared to their usual service fees; 2) even with an equivalent LARGE discount on color copies the price is still 10, yes that's ten folks, times the cost of the black and white copies. Therefore, having the soul of a true miser, I decided not to lead the Guild into bankruptcy. Sorry you USP guys it's just too expensive to consider. *Ray*



FRONT VIEW
THE GUILD SIDE
BOARD PROJECT



PLAN VIEW
 THE GUILD SIDE
 BOARD PROJECT



SIDE VIEW
 THE GUILD SIDE
 BOARD PROJECT

OFFICERS

President

David Fowler (316) 636-1969
dbfdesigns@hotmail.com

Vice President

Galen Cassidy (316) 722-2277
gjcassid@swbell.net

Secretary

Mike Hutton (316) 744-3036
ictwoodworker@cox.net

Treasurer

Wendell Parks (316) 684-7508
parksmail@sbcglobal.net

Librarian

Vic Shore (316) 253-7424

Membership Chairman

Guy Waldo (316) 684-1138

Editor: The Knot Hole

Ray Smith
(316) 755-3775
thyme@onemain.com

Sponsor Chairman

Dennis Laird
dalaird@cox.net

CLASSIFIED ADS



JET Printing and Digital Copies
6410 E. Central
Wichita, Kansas 67206
316-685-2679
www.jet-printing.com

MEMBERSHIP

Contact The
Membership Chairman
Guy Waldo (316) 684-1138

The Sunflower Woodworkers' Guild of Wichita Kansas publishes the Knot Hole newsletter monthly. Deadline for articles and information is the 2nd Monday of each month. Mailing date is the 3rd week of each month. Permission to reprint original material is granted to other woodworking groups, providing proper credit is given. *Articles attributed to publications other than the Knot Hole Newsletter should be used only with permission from that particular publication.* Send articles, photos and information to Ray Smith 9801 N. Meridian, Wichita, KS. 67147. Phone 7553775, email: mailto:thyme@onemain.com

Area Guilds and Clubs

South Kansas Wood-turners

Royce Wallace, President
601 Wetmore Drive
Wichita, Kansas 67209-1322
(316) 722-6749
wallburl@att.net

Great Plains Woodcarvers

Wichita Kansas
Sue Clarke, Secretary
222 Hillside Drive
Wichita, KS 67230-7115
(316) 218-0761
sjclarke@juno.com



3223 N. Hydraulic
Wichita, Kansas 67219
Phone: 316-838-3321
Fax: 316-832-1375
1-800-950-33211

Suppliers of Jet, Delta, Porter Cable power tools, plus a large variety of power and hand tools, Dennis Laird, the manager is a skilled woodworker, a member of our guild and can help with your product needs.

NEXT MEETING

November 28 , 2005

Wichita Table Tennis Center

1407 E. Harry

Wichita, KS 6721

The Knot Hole

Sunflower Woodworker's Guild

9801 N. Meridian

Valley Center, KS 67147